

Maintenance

Disconnect power cord from the power supply before performing maintenance. Never lift the Air Pump by the power cord. The only serviceable item is the diaphragm assembly.

Troubleshooting

- If performance of the Air Pump decreases check whether the connected filter or air stone is clogged and whether the air hose has a kink
- Check the air filter of the Air Pump (located at the bottom of the Air pump). If this does not reveal considerable pollution, it is likely that the Diaphragm Assemblies are worn out. When heavily polluted we recommend to replace the air filters.
- Depending on the environment in which the Air Pump has been used, for example, higher temperatures and back pressure, the Diaphragm Assemblies may have to be replaced after 6-12 months. Diaphragm Assembly kits are available as spare parts.

Important Safeguards

To guard against injury, basic safety precautions should be observed including but not limited to the following:

- The Air Pump should not be used in water.
- Do not operate the Air Pump if the Air Pump or any of the components of the Air Pump such as the power cable have been damaged.
- If the plug does get wet, do not unplug the cord. Disconnect the circuit breaker that supplies power to the power point. Then unplug and examine the plug and power point for presence of water. If the power point has become wet, you should consult an electrician before using the power point again.
- Warning: Always use a properly grounded power supply that is connected to an RCD with a rated residual operating current not exceeding 30mA. As per AS/NZS 3350.2.41:1997
- Always unplug the Air Pump from the power supply when not in use or before performing any maintenance on the Air Pump. Never pull the cord to disconnect the plug from the power supply. Grasp the plug and pull to disconnect.
- Do not install or store the Air Pump where it will be exposed to extreme hot or cold temperatures.
- **Keep out of reach of children or pets. This appliance should not be used by children or infirm persons without supervision.**
- Do not cut the cord as this will result in voiding your warranty.
- Care should be taken to arrange the power cord so that it cannot be accidentally tripped over or pulled.
- Operate in a well ventilated area.

Limited Warranty

- Warranty covers only appliance defects and faulty material and workmanship within a 1 year period.
- If the pump fails due to a manufacturing fault within the warranty period, the pump will be either repaired or replaced free of charge.
- Faults arising due to; accidents, misuse, not following manufacturer's guidelines/ instructions or power surges/spikes/brownouts will not be covered.
- The diaphragm assembly is a consumable item and is therefore not covered under warranty. Replacement parts are available from your local retailer/special orders.
- Warranty will be void if any tampering removal of warranty labels or electrical circuitry is evident.
- Warranty will be void if the power cord is cut or damaged in any way.
- Warranty will be void if any visible signs of overheating are present.
- The manufacturer or distributor shall not be held responsible for any damages caused by defective components or materials, or for loss incurred because of the interruption of services or any consequential or incidental damages or expenses arising from the manufacture, sale, use, or misuse of this product.
- Warranty claims caused by installation or servicing faults will not be covered.
- It is the customer's responsibility to return the faulty appliance for any warranty claim to Aquatec.
- For any warranty to be valid, an original proof of purchase must be provided.
- Our goods come with guarantees that cannot be excluded under the Australian Consumer Law. You are entitled to a replacement or refund for a major failure and for compensation for any other reasonably foreseeable loss or damage. You are also entitled to have the goods repaired or replaced if the goods fail to be of acceptable quality and the failure does not amount to a major failure.

Note: Please consult your retailer for quality original **hydropro** replacement parts for your **hydropro** product.



AIR PUMP

Z1000
Z2000
Z3000
Z4000



1300 AQUATEC
aquatecequipment.com

QUICKSTART GUIDE

Congratulations on your purchase of this product by

hydropro

Before using your Air Pump, please read the following instructions carefully.

	Z1000	Z2000	Z3000	Z4000
VOLTAGE (V)	240	240	240	240
POWER (W)*	2.5	5	8	10
MAXIMUM AIRFLOW (L/M)	2	2 x 2.5	2 x 3.5	2 x 4.5
OUTLET Ø (mm)	4	4	4	4

* Subject to variation according to load.

Features & Benefits

Your **hydropro** Air Pump has been manufactured with advanced technology and design to provide you with the best quality Air Pump for your common aquarium or tank set up. Aeration is very effective method of water movement encouraging quality microbial growth and water agitation for nutrient consistency.

- The **hydropro** Air Pumps are designed to give surprisingly high output of air for their energy consumption.
- Electronic Airflow adjuster for precise flow adjustment and energy conservation.
- The **hydropro** Air Pumps are designed to run quietly using advanced Multi-level Mufflers for low noise and high output.
- As with all Air Pumps, wear and tear occurs over time. **hydropro** Air Pumps assemblies are quick and easy to replace. They are readily available from your local service centre as a complete assembly for effortless change over.
- Dual dust filtration for prolonged life of air stones.

Situation & Assembly

1. The Air Pump is designed for oxygen enrichment by means of an air stone.
2. The Air Pump must be placed above the water level. In a dry and protected environment that is out of reach of accidental splash of water, but not on top or directly above the aquarium.
3. We strongly recommend using a non-return valve/s with each hose connection as to preventative measure to stop the back flow of water into the Air Pump.
4. Never leave the Air Pump switched on without sufficient counter pressure (airstones) on one or more outlets. This may cause the rubber parts to be subjected to premature wear and tear within a short space of time. The overall performance will be greatly reduced.
5. The Air Pump is designed to operate between 200mm to 600mm deep. Greater depth will increase diaphragm wear.
6. A drip loop should be arranged for each cable connecting an aquarium to a power supply. The drip loop is the part of the cable below the level of the power supply. It prevents water travelling down the cable and coming into contact with the power supply. If the plug socket does get wet, do not unplug the appliance. Disconnect the fuse or turn off the circuit breaker that supplies the power to the appliance, then unplug and examine for presence of water in the socket. Consult a licensed electrician if in doubt.
7. Every Air Pump may eventually “wander” or “creep” due to its own vibration. Avoid this by placing it on an entirely level and flat plane. We recommend securing it with some wire or string to the anchor point on the bottom of the Air Pump.
8. Before carrying out any maintenance, or adjustments, to the Aquarium, or Tank, or Air Pump itself, disconnect the power for your own safety.
9. The Air Pump is specifically designed to pump air only. Do not under any circumstances submerge Air Pump.
10. For indoor use only. Do not operate in areas of high humidity as the metal internal parts will corrode over time. This is not classed as a warrantable fault.
11. Keep unit out of direct sunlight.

Installation

1. Remove Air Pump from packaging,
2. Connect a length of airline to the Air Pump on the air outlets. Making sure to push on firmly.
3. Connect air driven device E.G. air stone
4. Place in Correct location.
5. Connect power cord to power point and turn on.

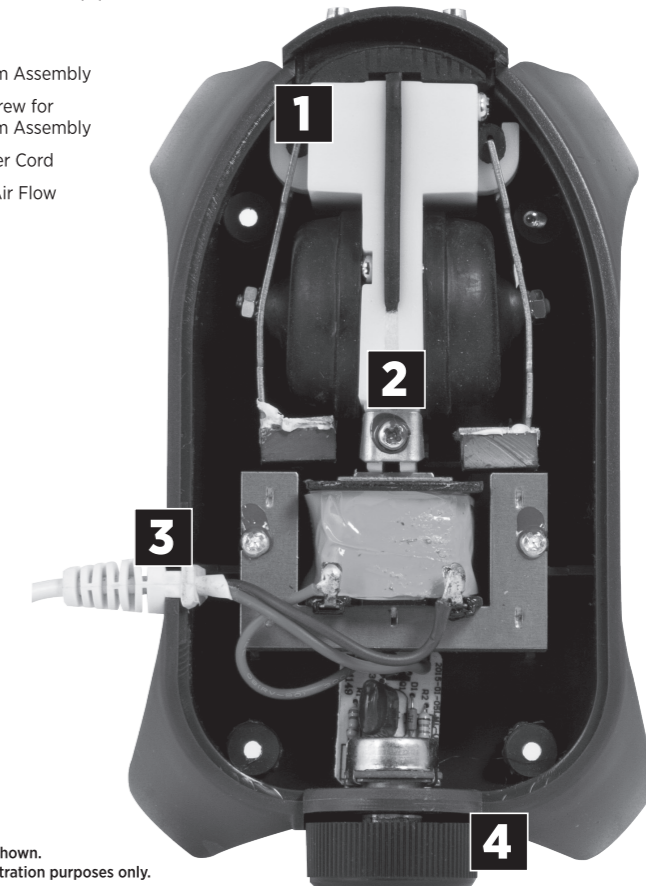
Diaphragm Replacement

The Diaphragm assembly can be replaced quickly and easily.

1. Remove the upper part of the casing after you have removed the 4 casing screws at the bottom of the Air Pump.
2. The Diaphragm assembly can be pulled out of the holder bracket upwards as an entire block once the centre screw has been removed. (2)

3. Push the new Diaphragm Assembly back into place and secure the centre screw. (1)
4. The hose connector must fit exactly into the cut-out at the front of the Air Pump.
5. Screw the casing back together.

- 1 Diaphragm Assembly
- 2 Centre Screw for Diaphragm Assembly
- 3 1.2m Power Cord
- 4 Variable Air Flow Adjustor



Z2000 Model shown.
Picture for illustration purposes only.